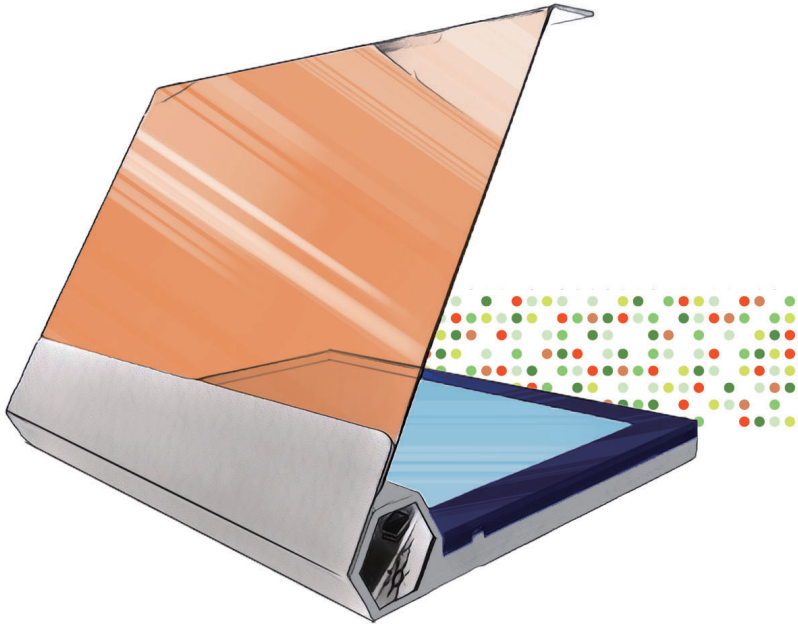


B / u PAD



BluPAD Dual LED Blue / White Light Transilluminator

Catalog number: BP001CU

Contents

* Description	01
* Mode	02
Blue Light Mode	02
White Light Mode	02
Field Study Mode	02
* Features	03
* Specifications	04
* Contents	04
* Operation Instruction	05
Blue Light Mode – Gel Cutting	05 / 06
Blue Light Mode – Imaging	07 / 08
White Light Mode	09 / 10
* Troubleshooting	11
* Related Ordering Information	12
* Maintenance and Repair	13
Cleaning and Maintenance	13
Method of Replacing with the New Blade	13
Replacement of Spare Parts	13
Servicing	14
REGULATORY NOTICE	14
* Appendix	15
Explanation of Symbols and Warnings	15
Caution	15
Warranty	15
Safety Information	16
Manufacturer	16

目錄

* 產品說明	17
* 模式	18
藍光模式	18
白光模式	18
田野研究模式	18
* 特色	19
* 規格	20
* 包裝內容物	20
* 使用說明	21
藍光模式 – 切膠	21 / 22
藍光模式 – 照相	23 / 24
白光模式	25 / 26
* 問題排除	27
* 相關訂購資訊	28
* 維護與維修	29
清潔與維護	29
刀片更換	29
更換備件	29
服務	30
管控通知	30
* 附件	31
符號和警告說明	31
警告	31
保固	31
安全資訊	32
製造商	32

01 Description

The BluPAD, as an innovatively designed transilluminator with dual light sources, is applicable in various Life Sciences research areas for observing and analyzing the nucleic acids and proteins. Given its most optimal and humanized design for the post-observation applications, such as gel cutting and data imaging and filing, it is desired to provide the researchers with a brand-new comfortable, convenient, and safe experience.

O2 Mode

Blue Light Mode

With the 470nm LED light wavelength as the excitation light source (Figure 1.), the Blue Light mode is applied for observing the qualitative and quantitative nucleic acid or protein experiments using the fluorescent staining reagents. Other than being compatible with our safe reagents, such as the Novel Juice, Novel Green, Novel Green Plus, OnePCR series, Nimble Juice, Nimble Juice R-TYPE, it also performs well with a majority of fluorescent staining products on the market, such as SYBR Gold, SYBR Green I & II, SYPRO Ruby, SSYPRO Orange, Coomassie Fluor Orange, GelStar, and GelGreen stains, GelStar, GelGreen. The feature of allowing light intensity adjustment at three different levels enables the user to make the light intensity contrast adjustment based on the sample concentration for achieving the best imaging quality. Further, the magnetic amber filter, with the hinges-free design, offers simplicity, safety, and convenience when opening and closing the filter.

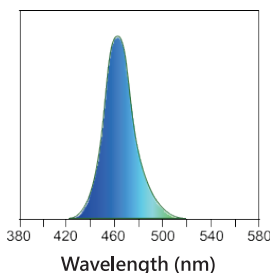


Figure 1.
Excitation and Emission Spectra for BluPAD
Dual LED Blue / White Light Transilluminator.

White Light Mode

By using the whole-wavelength white LED light as the excitation light source, the White Light mode exhibits softness and uniformity and is applicable for observing or imaging the SDS-PAGE gels that are stained with the Coomassie Blue or Silver Stain. It can also be employed as a simple film-viewing transilluminator for checking the X-Ray film for the research or clinical purpose. With the light intensity adjustment function, the contrasting adjustment of the light intensity is enabled at three levels according to the observational requirements for achieving the best imaging quality.

Field Study Mode

Connectable with the external power bank for the hassle-free field experiments.

* The power bank is NOT INCLUDED in the package and needs to be purchased by the user.

03 Features

Dual Light Sources - LED White Light and Blue Light

Broad ranges of applicability and compatibility in basic science and medical diagnosis research fields.

Magnetic Filter

The hinges-free design offers simplicity, safety, and convenience to the user and will not cause any damage to the filter near the hinges. Conducting the observation and gel-cutting does not require the protective goggles.

Bottom-Up LED Illumination

It prevents the interference from the reflective lights that are caused by the side illumination, thus improving the observational and imaging quality. Since the LED lights are durable and safe, it does not cause damage to the eyes and skin or to the experiment sample as normally found with the UV illumination.

Adjustable Light Intensity (3 Levels)

Adjusting the light intensity and contrast based on the sample quantity or observational requirement will achieve the best observational or imaging quality.

5-Minute Automatic Power-Off

It protects the transilluminator from the risk that is caused by the user's operational negligence.

Designer Metal Housing

The transilluminator's base is rendered more stable, thus facilitating the operational process.

Exquisite and Compact Design

It offers the ease of mobility and storage and is suitable for the experimental observation during the field study.

Enhanced Portability with the Power Bank

Hassle-Free for performing the outdoor experiments.

* The power bank is NOT INCLUDED in the package and needs to be purchased by the user.

04 Specifications

Unit Dimensions (W*L*H) : 18.5 x 22 x 3cm

Gel Viewing Dimensions (W*L) : 12 x 18cm

Input Voltage : 100-240Vac

Input Current : 2.0A

LED Source : Built-in LED blue light & white light modules.

LED Life (hours) : >30,000

Emission Maxima (nm) : 470nm

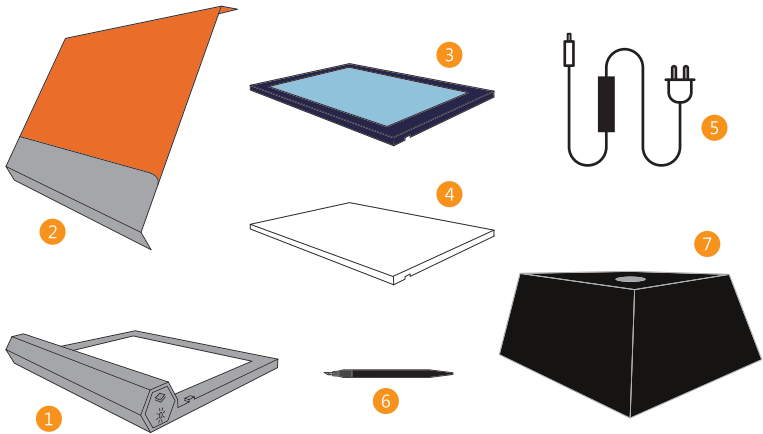
Store Temperature : 25°C

Automatic Power-Off : 5 mins

Filter Type : Amber filter (580nm)

Certifications : CE / ETL

05 Contents



- 1 Dual LED Blue / White Light Transilluminator Base
- 2 Amber Filter Cover
- 3 Blue Uniform Plate w Glass
- 4 White Uniform Plate
- 5 Power Cord
- 6 Gel-Cutting Knife and Replacement Blade
- 7 miniDarkroom

06 Operation Instruction

Blue Light Mode – Gel Cutting

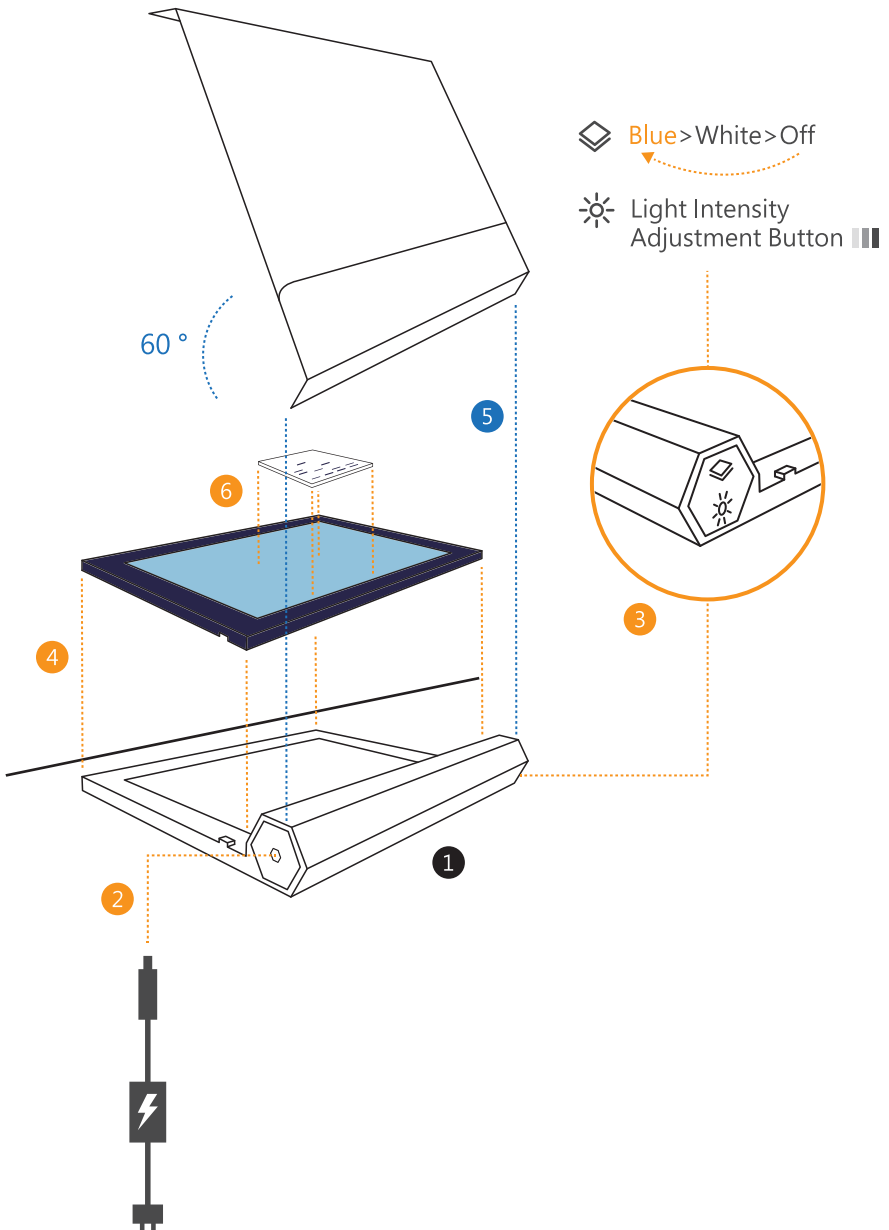
- 1 Place the BluPAD Dual LED Blue / White Light Transilluminator on a level operational bench, with enough space around the unit for allowing air circulation and preventing overheating.
- 2 Connect the power cord to the power socket.
- 3 Press the ON / OFF switch to the Blue Light Mode.
- 4 Place the blue filter (including the scratch-proof glass) in position.
- 5 Position the amber filter at an angle of 60 degrees for magnetically connecting with the transilluminator's base.
- 6 Upon placing the gel sample in the transparent glass area of the blue filter, the gel-observing and cutting experiment can be immediately conducted.

Caution :

For the automatic power-off feature at 5 minutes, please press the power switch again to switch on the indicator light once the LED indicator light is off.

Press the light intensity adjustment button based on the sample condition.

- 7 Upon completing the operation, turn the transilluminator off.
- 8 Please use the clean and wet cotton cloth to wipe the surfaces of the transilluminator and filter.



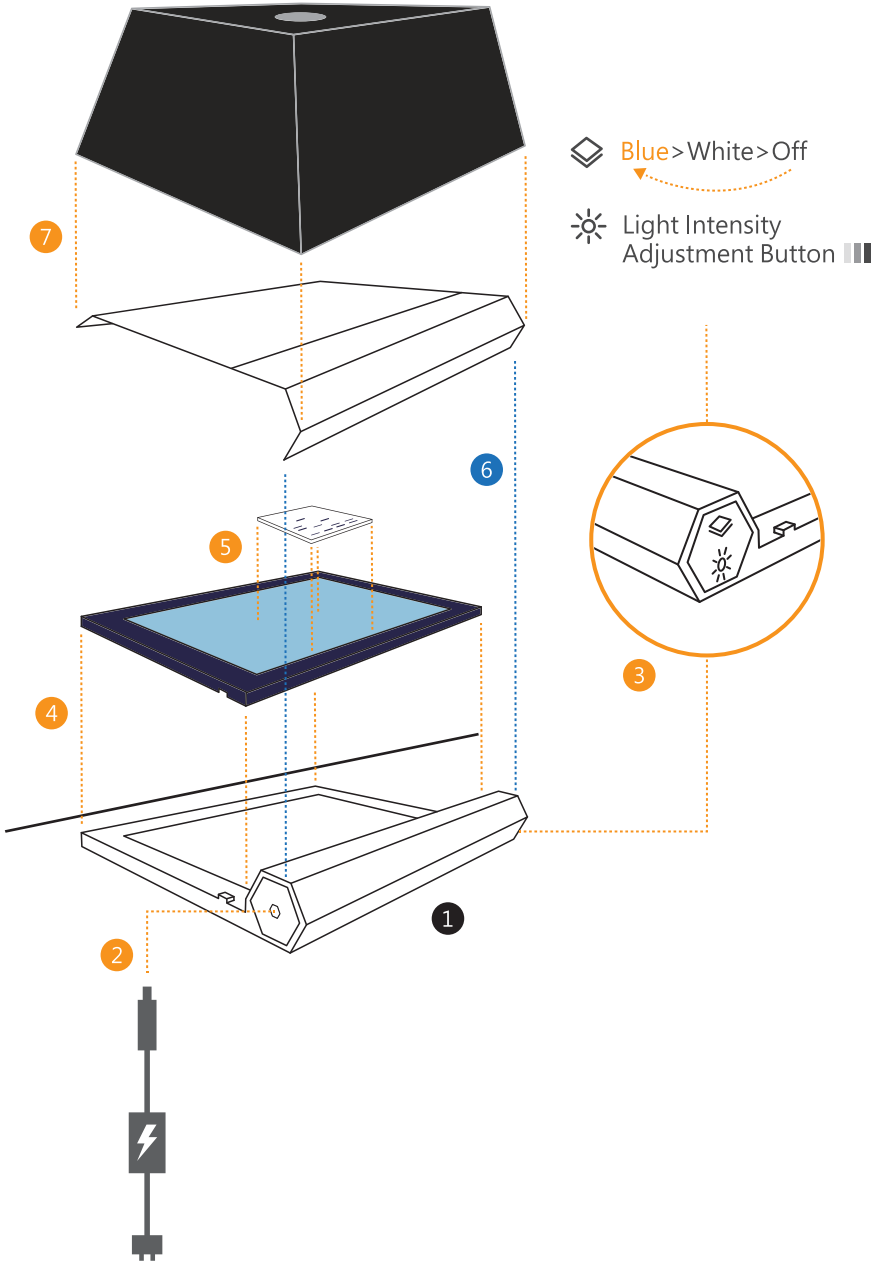
Blue Light Mode - Imaging

- 1 Place the BluPAD Dual LED Blue / White Light Transilluminator on a level operational bench, with enough space around the unit for allowing air circulation and preventing overheating.
- 2 Connect the power cord to the power socket.
- 3 Press the ON / OFF switch to the Blue Light Mode.
- 4 Place the blue filter in position (including the scratch-proof glass).
- 5 Upon placing the gel sample in the transparent glass area of the blue filter, the gel-observing and cutting experiment can be immediately conducted.

Caution :

For the automatic power-off feature at 5 minutes, please press the power switch again to switch on the indicator light once the LED indicator light is off.

- 6 Position the amber filter at an angle of 0 degree for magnetically connecting with the transilluminator's base.
- 7 Upon placing the miniDarkroom on the top of the amber filter, observation and imaging can be performed immediately.
- 8 Please switch off the power upon completing the operation.
- 9 Please use the clean and wet cotton cloth to wipe the surfaces of the transilluminator and filter.



White Light Mode

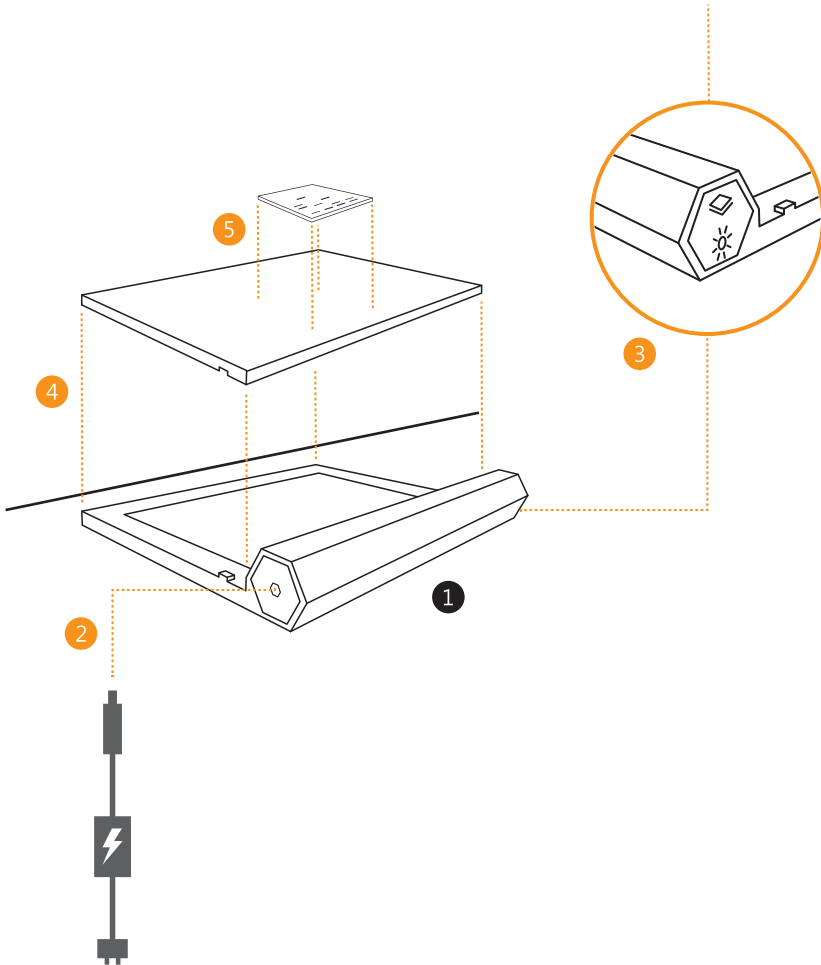
- 1 Place the BluPAD Dual LED Blue/White Light Transilluminator on a level operational bench, with enough space around the unit for allowing air circulation and preventing overheating.
- 2 Connect the power cord to the power socket.
- 3 Press the ON / OFF switch to the White Light Mode.
- 4 Place the white filter in position.
- 5 Upon placing the gel sample or X-ray film in the white filter area, gel-observation can be immediately conducted.

Caution :

For the automatic power-off feature at 5 minutes, please press the power switch again to switch on the indicator light once the LED indicator light is off.

 Blue>White>Off

 Light Intensity
Adjustment Button 



07 Trouble-Shooting

Refer to the table below to troubleshoot problems that you may encounter when viewing with the BluPAD Dual LED Blue / White Light Transilluminator.

Problem	Cause	Solution
Low sensitivity.	<ul style="list-style-type: none">* The fluorescent staining reagents selected and used do not exhibit wavelengths within the 400nm - 450nm range.* Insufficient sample concentration.	<ul style="list-style-type: none">* Replace the fluorescent staining reagent.* Adjust the light intensity and check for improvement. Please increase the sample concentration if no improvement is observed.
The sample is not observed under the Blue Light Mode.	Incorrect light source.	Please confirm the selected light source is the blue light, NOT the WHITE Light.

8 Related Ordering Information

Cat. No.	Description
BP001CU	BluPAD Dual LED Blue/White Light Transilluminator
BP-miniDR	BluPAD miniDarkroom
BP-KNIFE	BluPAD Gel-Cutting Knife
BP-AFC	BluPAD Upper Amber Filter Cover
BP-WUP	BluPAD White Uniform Plate
BP-BDPG	BluPAD Blue Uniform Plate W Glass
BP-AC	BluPAD 60 Watt Adaptor

Note :

Please read the installation instruction carefully before installing the BluPAD Dual LED Blue/White Light Transilluminator. This instrument is intended for clinical and research laboratory use and it must be operated only by specialized personnel aware of the potential risks associated with the chemical and biological agents normally used with this unit. This instrument is meant for use only by specialized personnel that know the health risks associated with blue light radiation and with reagents that are normally used with this instrument. It is designed to shield only the person working in front of the system and to observe the gel fluorescence emission clearly.

09 Maintenance and Repair

Cleaning and Maintenance

The transilluminator should be damply wiped off with a soft cotton cloth. The cloth should not be too wet. Do not use aggressive cleaning detergents or solvents.

After use of the transilluminator, we recommend to wipe off the frame and the filter glass with a damp cloth. Take care that the cloth is not soaked with scrubbing or corrosive detergents as this could damage the filter glass. We suggest using alcohol, glass cleaners or similar mild detergents.

Pay attention to wearing appropriate gloves when cleaning areas (such as the filter plate of the transilluminator, switches, protection shield) which may have been in contact with carcinogenic or toxic reagents. The protection shield is made of tempered glass and must only be cleaned with a damp cloth.

Method of Replacing with the New Blade

When replacing with the new blade, unscrew the silver handling part of the knife counterclockwise from the head part. Push out the head part's blade-holding section. Remove the old blade, and open the "SPARE BLADE" for taking out the new replacement blade. Insert it into the X-shaped blade insertion hole. Restore the silver connector back into the original position, and then screw tight the head part with the silver handling part clockwise.

Caution :

The blade is quite sharp. Please act with caution to avoid cuts.

Replacement of Spare Parts

Only original spare parts are allowed.

Servicing

Please contact your local dealer.

The BluPAD Dual LED Blue / White Light Transilluminator is warranted against defects in materials and workmanship for 1 year. If any defects occur in the instrument or accessories during this warrant period, Bio-Helix will repair or replace the defective parts at its discretion without charge. The following defects, however, are specifically excluded :

- 1 Defects caused by improper operation.
- 2 Repair or modification done by anyone other than Bio-Helix or an authorized agent.
- 3 Damage caused by substituting alternative parts.
- 4 Use of fittings or spare parts supplied by anyone other than Bio-Helix.
- 5 Damage caused by accident or misuse.
- 6 Damage caused by disaster.
- 7 Corrosion caused by improper solvent or sample.

For any inquiry or request for repair service, contact your local Bio-Helix office. Inform the model and serial number of your instrument.

REGULATORY NOTICE

IMPORTANT :

This Bio-Helix instrument is designed and certified to meet safety standards. Certified products are safe to use when operated in accordance with the instruction manual. This instrument should not be modified or altered in any way.

Alteration of this instrument will :

- 1.Void the manufacturer's warranty
- 2.Void the safety and EMC certification
- 3.Create a potential safety hazard

Bio-Helix is not responsible for any injury or damage caused by the use of this instrument for purposes other than those for which it is intended, or by modifications of the instrument not performed by Bio-Helix or an authorized agent.

10 Appendix

Explanation of Symbols and Warnings

BluPAD Dual LED Blue / White Light Transilluminator complies with the European Community Safety requirements. A CE Marking is a European marking of conformity that indicates a product complies with the essential requirements of the applicable European laws or directives with respect to safety, health, and environment and consumer protection. Generally, this conformity to the applicable directives is done through self-declaration. The CE Marking is required on products in the countries of the European Economic Area (EEA) to facilitate trade among the member countries. The manufacturer or their authorized representative established in the EEA is responsible for affixing the CE Marking to their product. The CE Marking provides a means for a manufacturer to demonstrate that a product complies with a common set of laws required by all of the countries in the EEA to allow free movement of trade within the EEA countries.

Caution

Caution risk of danger.

Consult the User Guide for further safety information.

Do not dispose of this product in unsorted municipal waste.

To minimize negative environmental impact from disposal of electronic waste, do not dispose of electronic waste in unsorted municipal waste. Follow local municipal waste ordinances for proper disposal provision and contact customer service for information about responsible disposal options.

Warranty

Bio-Helix warrants that BluPAD Dual LED Blue / White Light Transilluminator will be free from defects in material and workmanship for a period of one year from date of purchase. If a defect is present, Bio-Helix will, at its option, repair, replace, or refund the purchase price of this product at no charge to you, provided it is returned during the warranty period. This warranty does not apply if the product has been damaged by accident, abuse, misuse or misapplication, or from ordinary wear and tear. This warranty shall be limited to the replacement of defective products. It is expressly agreed that this warranty will be in lieu of all warranties of fitness and in lieu of the warranty of merchantability.

Safety Information

The BluPAD Dual LED Blue / White Light Transilluminator is an electrical device. Never touch the power cord or outlet with wet hands. Do not use this device in damp areas or while standing on damp floors. Do not attempt to open the BluPAD Dual LED Blue / White Light Transilluminator. The BluPAD Dual LED Blue / White Light Transilluminator should be used with the supplied power cord. Only these power cords should be used to power the device. Attach the power cord to the BluPAD Dual LED Blue / White Light Transilluminator. Plug the other end of the power cord into a properly grounded electrical outlet, ensuring the correct plug adaptor is attached. Always disconnect the BluPAD Dual LED Blue / White Light Transilluminator from the electrical outlet before cleaning the device. The BluPAD Dual LED Blue / White Light Transilluminator does not produce UV-light; however, it does utilize an intense blue light for viewing gels. It should be noted that published literature has identified blue light as a possible risk factor for macular degeneration; however, no clinical studies have been published. Therefore, the BluPAD Dual LED Blue / White Light Transilluminator amber filter unit provided with this device should be used to protect your eyes while viewing gels. The amber filter unit is NOT a safety screen for UV emission, and will NOT protect your eyes when viewing gels on UV transilluminators. After viewing and documenting the gel or sample, always press the unit off.

Please position and use the BluPAD Dual LED Blue/White Light Transilluminator on the level laboratory benchtop. If the transilluminator is positioned on the unlevelled laboratory benchtop or platform, it may cause the sample gel to slide, thus making the user unable to observe the gel. After the LED transilluminator is switched on for 5 minutes, the automatic disconnecting device will automatically switch off the power source.

Manufacturer

Bio-Helix Co., Ltd.

Room MAF 312, No.2, Beining Rd., Keelung City Taiwan (202), TAIWAN

Tel : +886-2-24624956

E-mail : info@bio-helix.com

Website : www.bio-helix.com



01 產品說明

BluPAD LED 藍白雙光源照膠透射儀是一台適用於各種生命科學研究領域，應用於觀察分析核酸、蛋白質等物質所創新設計的雙光源燈箱，對於觀察後的應用，例如：切膠、拍照存檔等進行最佳化與人性化的設計，期望在研究者使用介面上提供舒適、方便與安全的新體驗。

02 模式

藍光模式

藍光模式是使用特殊波長 470nm 的藍色 LED 作為激發光源，應用在觀察經螢光染劑染色後的核酸或蛋白質定性定量的實驗。除了可以適用本公司的安全試劑，例如：Novel Juice, Novel Green, Novel Green Plus, OnePCR series, Nimble Juice, Nimble Juice RTYPE 等外，也相容於市面上大部分的螢光染劑產品，例如：SYBR Gold, SYBR Green I & II, SYPRO Ruby, SYPRO Orange, Coomassie Fluor Orange, GelStar, and GelGreen stains, GelStar, GelGreen 等螢光染劑產品。三段亮度調整功能，可以根據樣品含量進行亮度對比調整，達到最佳拍照品質。磁吸式琥珀色濾光片，無絞鍊設計開合容易，簡單安全方便。

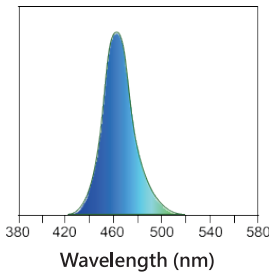


圖1.
BluPAD LED 藍白雙光源照膠透射儀散發光光譜

白光模式

白光模式是使用全波長的白色 LED 作為激發光源，柔和均勻，適用於觀察或拍照 Coomassie blue 染色法或硝酸銀染色法實驗的蛋白質電泳膠片，亦可作為簡單的觀片燈箱，查看 X-Ray 底片等研究或醫療使用。三段亮度調整功能，可以根據觀看需求進行亮度對比調整，達到最佳拍照品質。

田野研究模式

可外接行動電源，野外實驗免煩惱。

* 包裝不含行動電源，請自行購買。

03 特色

雙光源設計

適用範圍廣，應用性高，適用於基礎科學與醫療診斷相關領域研究。

磁吸式濾片設計

無絞鍊設計使用簡單安全方便，不須戴上眼鏡即可觀察、切膠，不會導致絞鍊處濾片損壞。

LED底部發光設計

避免側邊發光所導致的散射繞射干擾，提升觀察與拍照品質，LED 耐用安全，沒有UV照射會導致的人體眼睛皮膚傷害或造成實驗樣品損壞。

三段調光設計

依照樣品量或觀察需求調整亮度對比，達到最佳觀察或拍照品質。

5分鐘自動斷電設計

保護機器，避免人員疏失導致的危險。

金屬本體設計

底座更穩定，操作更順暢。

精巧設計

攜帶收藏方便，適合田野調查實驗觀察使用。

支援外接行動電源

外出實驗免煩惱。

* 包裝不含行動電源請自行購買。

04 規格

體積 (寬*長*高) : 18.5 x 22 x 3cm

可觀察範圍 (寬*長) : 12 x 18cm

輸入電壓 : 100-240Vac

輸入電流 : 2.0A

LED 光源 : Built-in blue light & white light LED module

LED 壽命 (小時) : >30,000

散發光波長 : 470nm

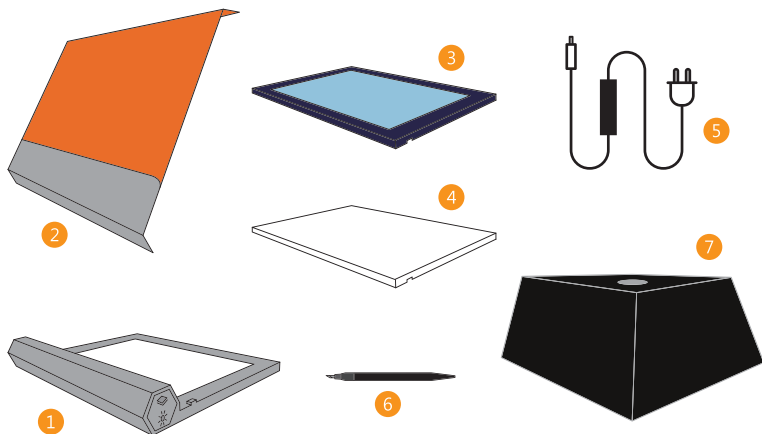
儲放溫度 : 25°C

自動關機 : 5 mins

濾片規格 : Amber filter (580nm)

認證 : CE / ETL

05 包裝內容物



- 1 BluPAD LED 藍白雙光源照膠透射儀機器本體
- 2 琥珀色上蓋
- 3 藍色濾光片含防刮玻璃
- 4 白色均勻導光片
- 5 電源供應器
- 6 切膠刀與替換刀片
- 7 迷你暗房

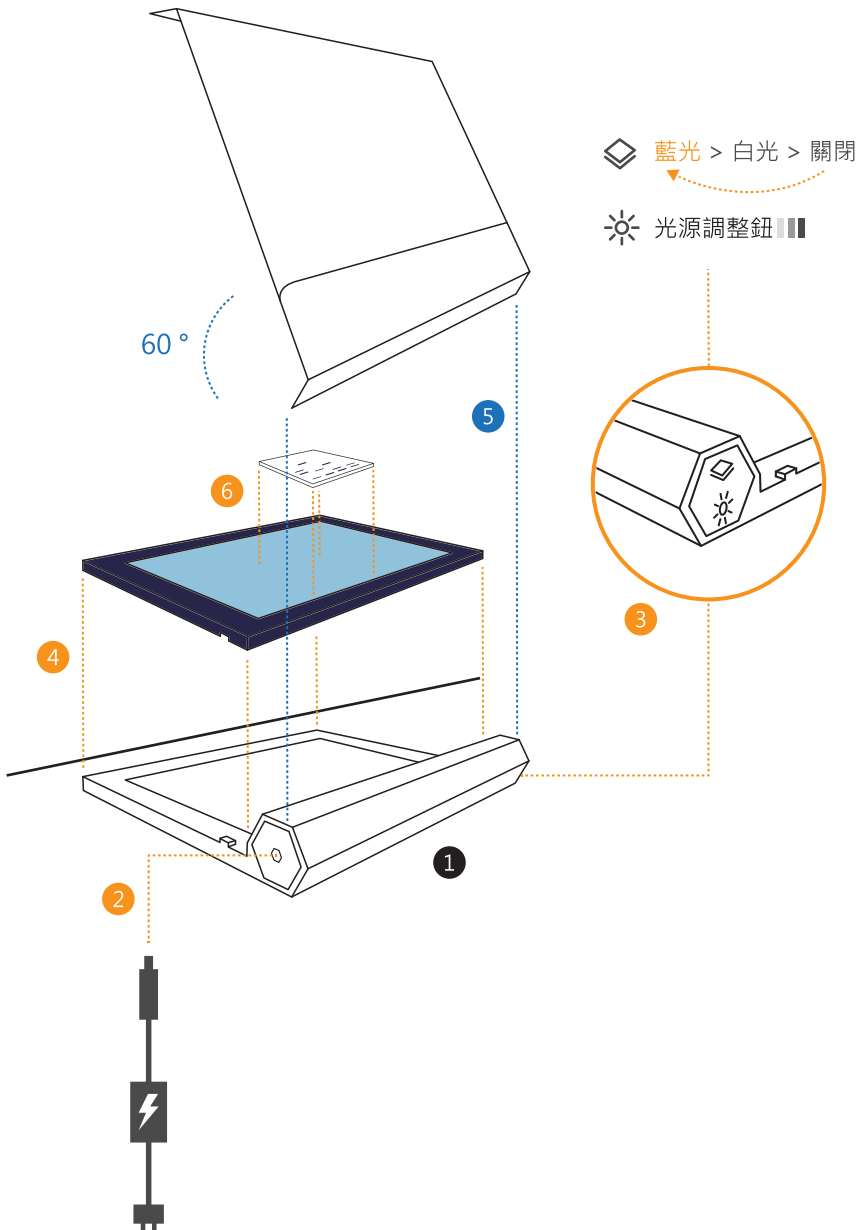
06 使用說明

藍光模式 – 切膠

- 1 將 BluPAD LED 藍白雙光源照膠透射儀放置在水平的操作平台上。
(設備周圍保留足夠的空間，以便空氣流通並防止機器過熱)。
- 2 連接電源線和插座。
- 3 按壓ON / OFF開關到藍光模式。
- 4 放上藍色濾片 (含防刮玻璃)。
- 5 將琥珀色濾片以 60 度角磁吸至底座。
- 6 將凝膠樣品放置在藍色濾片透明玻璃區域上，即可進行觀察及切膠實驗。

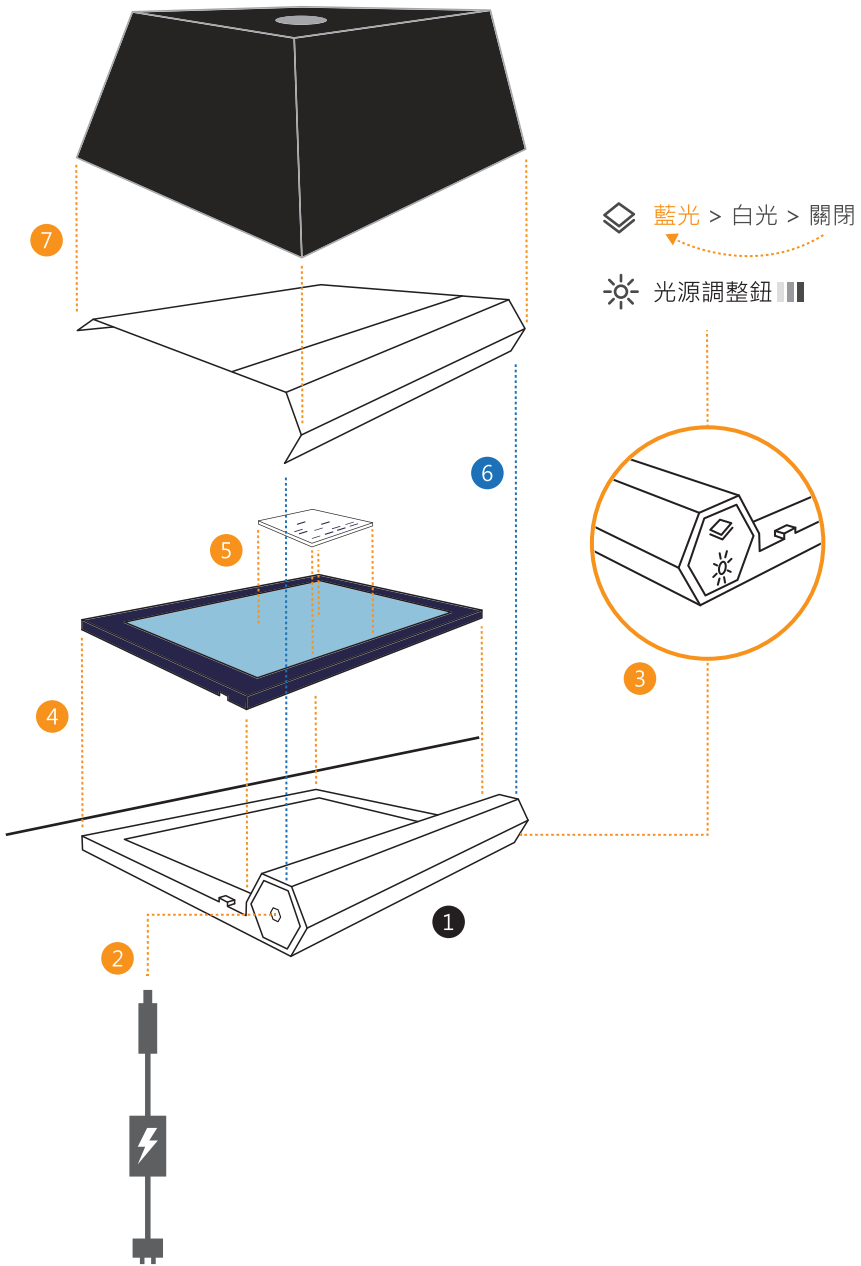
注意：

 - * 5 分鐘後自動關機選項。一旦 LED 指示燈熄滅，請再次按下電源按鈕重新打開指示燈。
 - * 根據樣品狀況可以按壓明暗鈕調整亮度。
- 7 操作完成後，關閉機器電源。
- 8 請使用乾淨濕的棉布擦拭機器與濾片表面。



藍光模式 - 照相

- 1 將BluPAD LED 藍白雙光源照膠透射儀放置在水平的操作平台上。
(設備周圍保留足夠的空間，以便空氣流通並防止機器過熱)。
- 2 連接電源線和插座。
- 3 按壓ON / OFF開關到藍光模式。
- 4 放上藍色濾片 (含防刮玻璃)。
- 5 將凝膠樣品放置在藍色濾片透明玻璃區域上，即可進行觀察。
注意：
5分鐘後自動關機選項。
一旦 LED 指示燈熄滅，請再次按下電源按鈕重新打開指示燈。
- 6 將琥珀色濾片以0度角磁吸至底座。
- 7 將迷你燈箱放置於琥珀色濾片上即可進行觀察拍照。
注意：根據樣品狀況可以按壓明暗鈕調整亮度。
- 8 操作完成後，關閉機器電源。
- 9 請使用乾淨濕的棉布擦拭機器與濾片表面。





白光模式

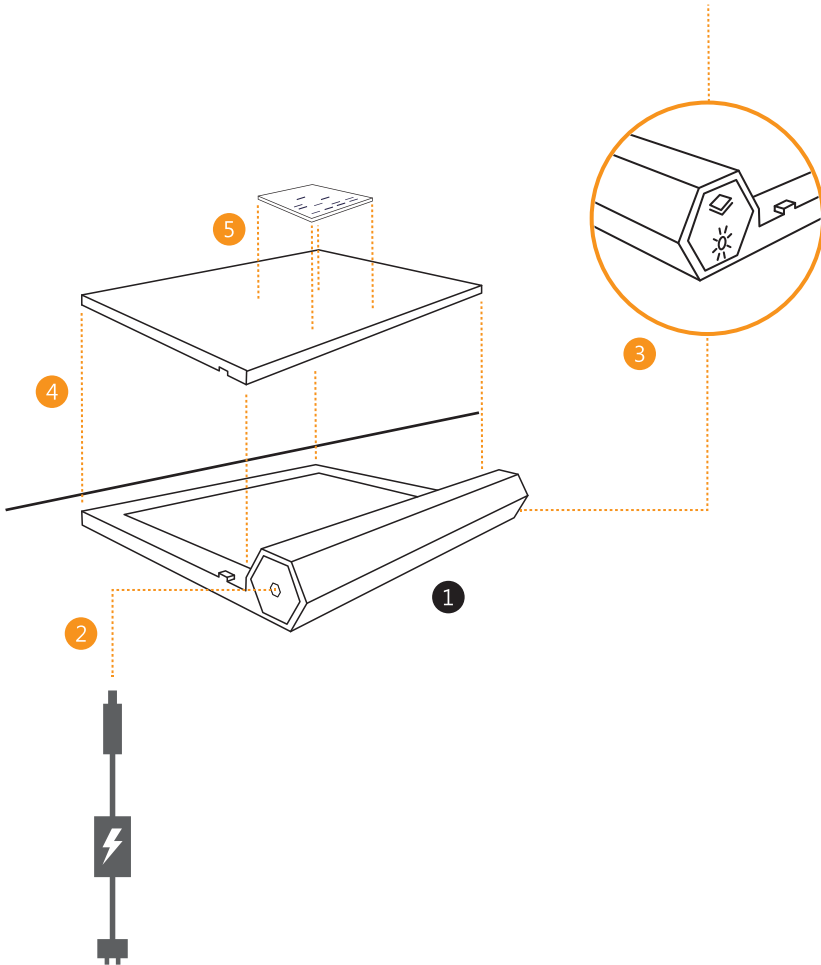
- 1 將 BluPAD LED 藍白雙光源照膠透射儀放置在水平的操作平台上。
(設備周圍保留足夠的空間，以便空氣流通並防止機器過熱)。
- 2 連接電源線和插座。
- 3 按壓ON / OFF開關到白光模式。
- 4 放上白色導光片
- 5 將凝膠樣品或 X-ray film 放置在白色導光片區域上，即可進行觀察。

注意：

5分鐘後自動關機選項。一旦 LED 指示燈熄滅，請再次按下電源按鈕重新打開指示燈。

 藍光 > 白光 > 關閉

 光源調整鈕 



07 問題排除

使用 BluPAD LED 藍白雙光源照膠透射儀 時若有使用問題，請參照以下表列的狀況進行問題排除。

Problem	Cause	Solution
低靈敏度	<ul style="list-style-type: none">* 選用的螢光染劑其激發光波長範圍不在 400-500nm。* 樣品濃度不足。	<ul style="list-style-type: none">* 更換螢光染劑。* 調整光源亮度是否能改善，若還是不行請增加樣品濃度。
藍光模式下無法看到樣品	光源錯誤。	請確認選擇的光源是藍光，而非白光。

08 相關訂購資訊

Cat. No.	Description
BP001CU	BluPAD LED 雙光源燈箱
BP-miniDR	BluPAD 迷你暗房
BP-KNIFE	BluPAD 切膠刀組
BP-AFC	BluPAD 琥珀色上蓋
BP-WUP	BluPAD 白光模式光源均勻版
BP-BDPG	BluPAD 藍光模式光源均勻版含防刮玻璃
BP-AC	BluPAD 60 瓦特光源線

注意：

安裝及使用 BluPAD LED 藍白雙光源照膠透射儀前，請詳讀此安裝說明手冊。此設備預期將會用於臨床和分子生物研究實驗室，建議由熟悉並了解化學與生物物質使用潛在風險的專業人員進行正常的操作。使用藍光模式時，此設備應由了解藍光光源與對應試劑健康風險的專業人員進行正確的操作。觀察或切膠時，請位於機器琥珀色濾片之後，已得到最佳的觀察角度與保護。

09 維護與維修

清潔與維護

機器本體清潔時，應使用微濕棉布輕輕擦拭即可，避免使用太濕的棉布。注意不可使用腐蝕性清潔劑或溶劑清潔。

使用機器後建議使用微濕棉布擦拭框架與濾片玻璃等配件。注意擦拭布不要使用洗滌劑或腐蝕性清潔劑浸泡，否則可能會損壞濾片玻璃。建議使用酒精、玻璃清潔劑或類似的溫和洗滌劑。

在清潔機器時請注意使用適當的手套，避免接觸到致癌或有毒的試劑。保護罩由鋼化玻璃製成，只能用濕布清潔。

刀片更換

更換新刀片時，請從頭部逆時針旋開刀的銀色握柄處連接器。推出刀組頭部的刀片固定部分。取下舊刀片，取出新更換刀片。將其插入X形刀片插入孔。將銀色握柄連接器恢復到原來的位置，然後順時針鎖緊頭部與銀色握柄處部分。

注意：刀片非常鋒利。請小心操作，以避免割傷。

更換備件

只允許使用原廠備件。

服務

請聯繫當地經銷商。

BluPAD LED 藍白雙光源照膠透射儀保固1年。如果在此期間儀器或附件出現任何功能異常，Bio-Helix 將進行維修或更換有缺陷的部件，不收取費用。但是不包含以下導致損壞原因：

- 1 人為操作不當造成的損壞。
- 2 非經由 Bio-Helix (森兆生醫) 或授權代理人的人員進行修理或改裝。
- 3 替換外部零件造成的損壞。
- 4 使用 Bio-Helix (森兆生醫) 以外的廠商提供的配件或備件。
- 5 事故或誤用造成的損壞。
- 6 災害造成的損害。
- 7 不適當的溶劑或樣品引起的腐蝕。

對於產品任何諮詢或請求維修服務，請聯繫您當地 Bio-Helix (森兆生醫) 經銷商辦公室。並告知儀器的型號和序號。

管控通知

重要提示：

儀器的設計和認證符合安全標準。根據使用說明書操作時，認證產品可安全使用。本儀器不應以任何方式修改或更改。

如果改變本儀器將：

- 1 沒有製造商的保修
- 2 無安全和EMC認證
- 3 產生潛在的安全隱患

Bio-Helix (森兆生醫) 對於使用本儀器以外的目的或未經授權進行機器維修、改裝而造成的任何傷害或損壞，概不負責。

10 附錄

符號和警告說明

BluPAD LED 藍白雙光源照膠透射儀符合歐洲共同體安全要求。

CE 標誌是歐洲標誌，表明產品符合適用的歐洲法律或指令關於安全、健康、環境和消費者保護的基本要求。一般來說，這些符合適用的指令是通過自我聲明。歐洲經濟區 (EEA) 國家的產品需要CE標誌，以促進成員國之間的貿易製造商或其於歐洲經濟區設立的授權代表負責在其產品上貼上CE標誌。CE 標誌為製造商提供了一種意義，證明產品符合歐洲經濟區所有國家要求的允許歐洲經濟區國家內部貿易自由流動的通用法律。

警告

小心危險風險。

有關更多安全信息，請參閱用戶指南。

不要將本產品丟棄在未分類的垃圾中。

為減少電子廢棄物處置對環境造成的負面影響，請勿將電子廢棄物處置在未分類的垃圾中。請按照當地城市廢棄物法規進行妥善處理，並聯繫客戶服務部門，了解有關相對應處置方式的訊息。

保固

Bio-Helix (森兆生醫) 保證 BluPAD LED 藍白雙光源照膠透射儀在購買之日起一年內不會出現材料和製品的缺陷。如果發現缺陷，在保固期內，Bio-Helix (森兆生醫) 將選擇維修、更換或退還本產品的購買價格。如果本產品因意外、錯誤使用、錯誤應用或由於正常使用損耗，本保固條件將不適用。本保固條件僅限於更換有缺陷的產品。此保固條件將取代所有的適用性保證和代替適銷性的保證。

安全資訊

BluPAD LED 藍白雙光源照膠透射儀是一種電器設備。切勿用濕的手觸摸電源線或插座。請勿在潮濕的區域或在潮濕的地板上使用本設備。不要嘗試打開機器內部。機器應與隨附的電源線一起使用。只能使用這些電源線為設備供電。將電源線連接到設備側面的電源輸入孔上。將電源線的另一端正確插入接地的電源插座，確保連接了正確的插頭適配器。在清潔設備之前，務必從插座上取下機器的電源線。

BluPAD LED 藍白雙光源照膠透射儀不會產生紫外線。然而，因使用強烈的藍光來觀察凝膠，公開的文獻已經發現藍光是黃斑變性的可能危險因素，然而，尚無臨床相關的研究報告，但仍應當注意。因此，在觀察凝膠時，為了保護您的眼睛，請使用機器配備的琥珀色濾片。琥珀色濾片不是紫外線輻射的安全屏幕，在紫外線透射儀上觀察凝膠時，使用琥珀色濾片並不會保護您的眼睛。在觀察和拍照凝膠或樣品後，請將電源關閉。

請在水平實驗台上放置及使用 BluPAD LED 藍白雙光源照膠透射儀。如果機器位於不平的實驗室檯面或平台上，則可能導致樣品凝膠滑動，從而使用戶無法觀察凝膠。機器開啟5分鐘後，自動斷開裝置將自動關閉電源。

製造商

森兆生醫股份有限公司
台灣基隆市北寧路2號海事大樓312室
電話：+ 886-2-24624956
電子郵件：info@bio-helix.com
網站：www.bio-helix.com



